

HUADA 华大液压

专业设计制造高品质液压系统

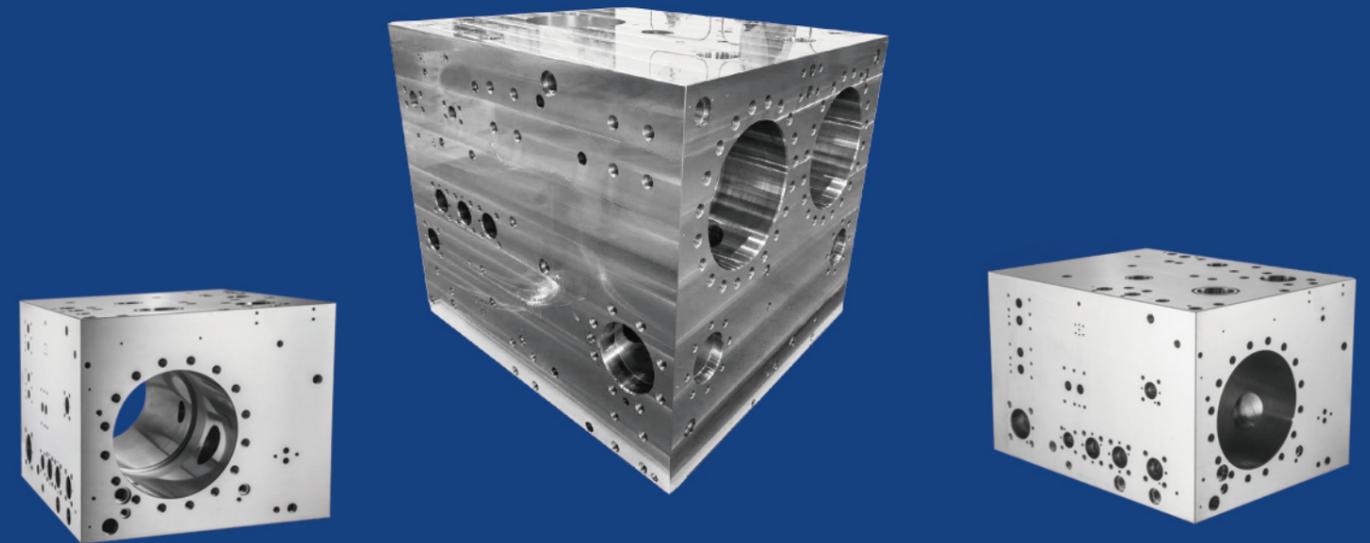
Provider of design and manufacture of high quality hydraulic system



华大液压新厂房效果图

占地21000平方米建筑面积38000平方米,预计2025年交付使用

Huada New Factory Building Impression covers an area of 21000 square metres and building area 38000 square metres, to be brought into operation in 2025



HUADA 宁波华大液压有限公司
Ningbo Huada Hydraulics Co., Ltd.

+86 574 86697035 13905740850 (忻先生) (Mr. Xin)

+86 574 86697036

<http://hdmanifold-block.com>
nbxlsj.1688.com

sales@nbhuada.com
nbhuada2012@163.com

中国 浙江 宁波市镇海区庄市大道318号
No 318, Zhuangshi Avenue, Zhenhai District, Ningbo, Zhejiang, China



English



中文

宁波华大液压有限公司

Ningbo Huada Hydraulics Co., Ltd.



宁波华大液压有限公司创建于2001年，位于宁波镇海庄市工业B区，周边交通发达(宁波高教园区北区，宁波大学对面)。公司占地面积21亩，3座标准厂房，1幢办公楼总建筑面积1.5万平方米。

华大成立20多年来，专注于液压集成系统领域的设计、开发及生产加工。公司年产液压油路集成块6500吨，可制造最大重量30吨左右的液压集成块，在国内大型或超大型压铸机和锻压机领域，是目前国内有能力制造大吨位液压集成油路块的少数厂家之一。

Established in 2001, Ningbo Huada Hydraulics Co., Ltd is situated at Zhuangshi Industrial Zone of Ningbo. Our factory covers an area of 21 acre with three factory buildings and one office building, whose total building is 15000 square metres.

Over the past twenty years, we have been specialised in the research, development and manufacturing of hydraulic integrated system. Our annual productivity is 6500 tons of hydraulic integrated manifold blocks and we are capable of producing the integrated blocks of 30 tons used in the field of die casting machine and forging machine, one of the few Chinese manufacturers that can produce huge hydraulic circuit blocks.

精英团队 TEAM BUILDING

华大液压十分重视管理团队的建设。始终坚持创建企业学习型组织，激发员工的积极性和创新意识，力争将企业建设成为具有开发创新能力的优秀团队。

We attach importance to management team building and we adhere to the building of learning organisation in order to motivate our team members in terms of innovation. We aim to build our company into an excellent team full of innovation.

先进设备 ADVANCED EQUIPMENT

现有斗山镗铣床、新泻卧式加工中心、海天精工卧式立式加工中心、海天精工五面体大型龙门加工中心、深孔钻等高端精密设备，满足高层次客户的加工需求。

Today we have a lot of advanced equipment such as milling machine, horizontal CNC center, 5-axis gantry CNC center, deep hole drill, which can fully satisfy the demand of our customers.



引领行业 成就人才

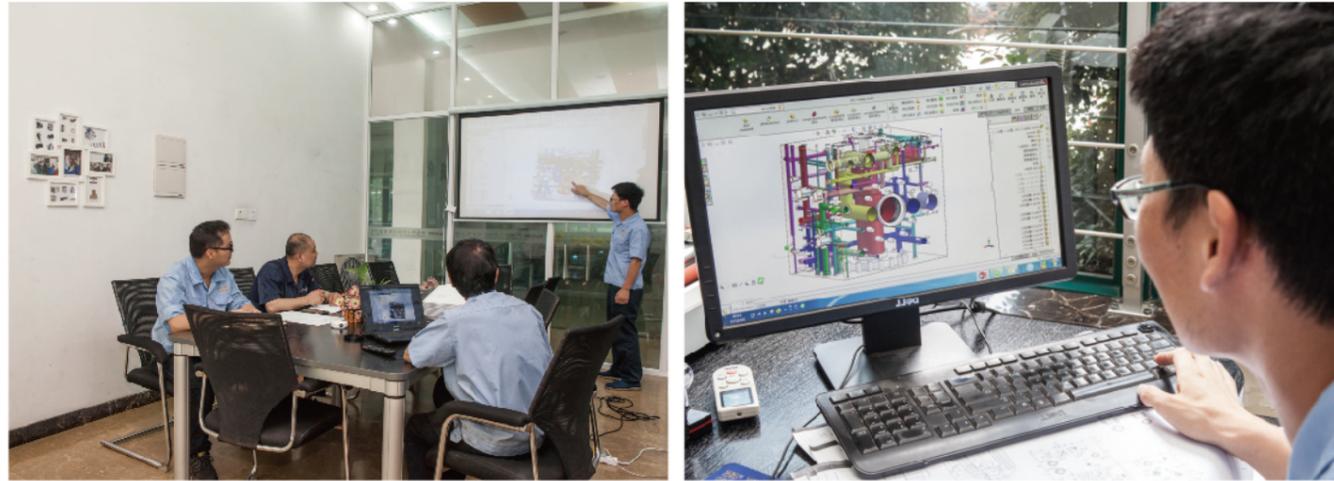
Be industry leader and make talents

精于品质 不断创新

品质检测

Quality inspection

Excellence on quality Persistence on innovation



严谨的专业态度

Strict professional attitude

创新的研发服务理念

Creative concepts on R&D

“素质决定品质，态度决定精度”，高品质的产品来自高素质的员工，华大人始终坚信，制约质量的关键因素不是技术，而是员工的工作态度。从以物为本到以人为本的理念转变，讲质量意识落实到每一个人，培养员工严谨的专业态度，在生产过程中一丝不苟，精益求精，对每一个环节严格把关，绝不放过任何一个细节的疏漏和瑕疵，追求完美的质量管理体系缔造了华大领先国内高品质产品源源不断地为全世界的客户提供卓越的产品和系统解决方案。

华大液压有限公司拥有自己强大的新技术研发团队，凭借多年的液压系统设计经验，对各行业液压系统进行合理改进，紧跟时代步伐，满足客户要求，使客户的设备更先进、更可靠、更优质，提高市场竞争力。

High quality products arise from high-quality staff. We always believe that the key to quality is work attitude of the staff. In search of perfection, this is what we teach our staff, which makes us a leading provider of hydraulic systems for customers all over the world.

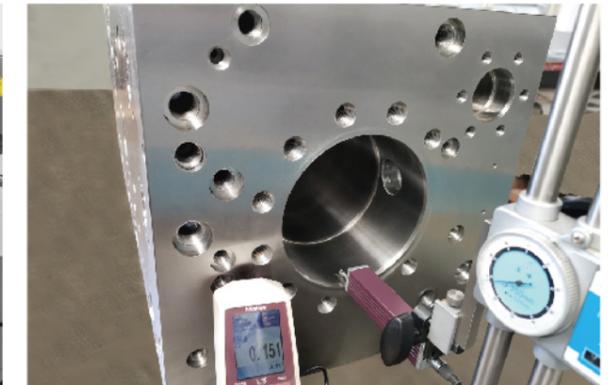
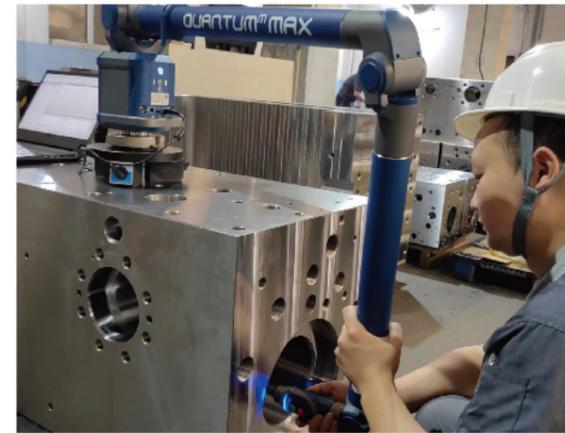
We have our own R&D team with rich experience on hydraulic system design. Our team makes improvements on hydraulic systems, keeps track of the development of the industry, meets the requirements of customers to enhance the market competitiveness of our customers based on their equipment more advanced and more reliable.

油路块检测:公司拥有三坐标测量臂, 探伤仪、测光仪、数显千分尺等各类先进精密的检测工具, 并有丰富经验的检验员对加工后的产品做仔细检查, 以保证产品的材质、尺寸准确无误。

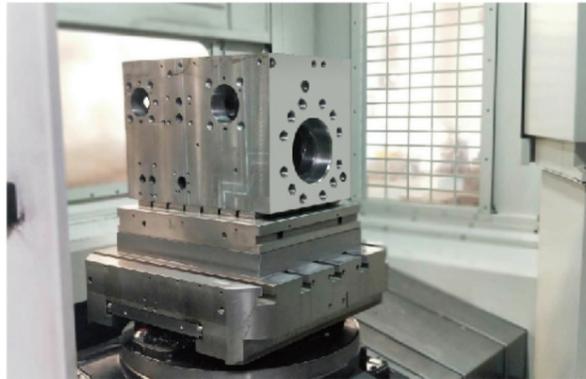
Manifold block test: we have testing instruments like 3D measuring arm, flaw detector, ring gauge and depth caliper. Our competent inspectors make inspection on finished goods to ensure the material and size of the products.

液压系统检测:公司拥有多功能的液压调试台, 调试员会对各类成套液压设备做动作、压力等实验, 以保证设备运行正常, 动作安全可靠。

Hydraulic system test: We have multifunctional hydraulic testing equipment and our inspectors make various tests to ensure the smooth function of the system.



每一道工序，要求精益求精 Every process requires perfection



华大液压拥有60多台加工中心、数控车床、数显铣床等高精度设备，和丰富设计经验的工程师，竭诚为客户提供最佳的解决方案和高品质的产品。

With over 60 advanced equipment like CNC center, CNC lathe and numerical control milling machine and experienced design team, we strive to provide the most suitable solutions and high quality products.

油路块加工与检测设备 Process equipment and test instrument

| 序号 Serial No. | 名称 Name | 规格型号, 技术参数 Specification | 数量 Quantity | 制造厂商 Supplier |
|------------------|--|---|----------------|------------------|
| 1 | 卧式铣床 Horizontal milling machine | DBC130 II (120 把柄) 铣床, 工作台 1800mm×2000mm, 承重 25 吨 | 1 | 韩国斗山 |
| 2 | 龙门五面体加工中心 Five-axis gantry CNC center | GRU II 32×80 (24把柄) 铣床, X8500mm, Y3600mm, Z1700mm, 承重40吨 | 1 | 海天 |
| 3 | 卧式加工中心 Horizontal CNC center | 100H (90把柄) 铣床, 双工作台, X1600mm, Y1400mm, Z1200mm, 承重5吨 | 1 | 海天 |
| 4 | 卧式加工中心 Horizontal CNC center | 63H (90把柄) 铣床, 双工作台, X1000mm, Y850mm, Z750mm | 3 | 海天 |
| 5 | 卧式加工中心 Horizontal CNC center | HN63C(40把柄) 铣床, 双工作台, X1000mm, Y850mm, Z750mm | 2 | 日本新泻 |
| 6 | 卧式加工中心 Horizontal CNC center | HN50C(40把柄) 铣床, 双工作台, X800mm, Y700mm, Z650mm | 1 | 日本新泻 |
| 7 | GLU II 13 系列 定梁龙门加工中心 GLU II 13 Series Fixed beam gantry CNC center | GLU II 13×16(24把柄) 铣床, X1800mm, Y1300mm, Z1200mm | 1 | 海天 |
| 8 | L 系列定梁龙门加工中心 L-Series Fixed beam gantry CNC center | GLU16X10, X1500mm, Y1000mm, Z900mm | 11 | 海天 |
| 9 | 立式加工中心 Vertical CNC center | VM-1100, 工作台 1210mm*620mm, X1350mm, Y650mm, Z700mm | 2 | 天瑞 |
| 10 | 翻模机 Die reversing machine | HD-FZ5T 承重5吨, HD-FZ0T 承重20吨, HD-FZ40T 承重 40 吨 | 10 | 华大 |
| 11 | 数控深孔钻 Numerical control deep hole drill | TL1300, X1300mm, Y1600mm, Z1000mm | 2 | 台立 |
| 12 | 摇臂钻床 Radial drill | Z3050 | 15 | 中捷 |
| 13 | 摇臂钻床 Radial drill | Z3080 | 2 | 中捷 |
| 14 | 数控平面磨 Numerical control flat grinding machine | KGS-84AHD | 6 | 建德 |
| 15 | 数控平面磨 Numerical control flat grinding machine | FR800X1600, 工作台800*1600mm, 承重8吨 FR1000X2200, 工作台1000*2200mm, 承重20吨 | 3 | 丰润 |
| 16 | 数控精密四边铣床 Numerical control precision milling machine | LC-700NCR | 2 | 隆昌 |
| 17 | 数控精密四边铣床 Numerical control precision milling machine | LC-850NCR | 3 | 隆昌 |
| 18 | 数控车床 Numerical control lathe | CAK6 1125, φ 1250mm*1500mm | 3 | 一机 |
| 19 | 数控卧式铣床 Numerical control boring lathe | TPX6113, 主轴直径 130mm | 3 | 中捷 |
| 20 | CNC 三轴联动倒角机 CNC three phase chamfering machine | LC-1200mm*700mm*400mm | 2 | 隆昌 |

| 序号 Serial No. | 名称 Name | 规格型号, 技术参数 Specification | 数量 Quantity | 制造厂商 Supplier |
|------------------|--|---|----------------|------------------|
| 1 | 对刀仪 Measurement touch probe | SMI-P | 1 | 德国ZOLLER |
| 2 | 粗糙度测量仪 Surface roughness gauge | Mitutoyo, sj210 | 1 | 日本三丰 |
| 3 | 盐雾试验机 Salt fog tester | LGD-90C, 实验空间 900mm*600mm*500mm | 1 | 鹭工 |
| 4 | 光面环规 Plain ring gauge | φ25, φ32, φ34, φ45, φ50, φ55, φ60, φ68, φ75, φ90, φ100, φ110, φ120, φ135, φ145, φ150, φ180, φ200; | 各 1 | 德国HOFFMANN |
| 5 | 数字式超声波探伤仪 Ultrasonic flaw detector | USM36S | 1 | 美国GE |
| 6 | 磁粉探伤仪 Magnetic particle flaw detector | Y-2型 | 1 | 美国MAGNAFLUX |
| 7 | 数显深度尺 Depth gauge caliper | 30EWR 0-1000mm | 25 | 日本三丰 |
| 8 | 内窥镜 Industrial endoscope | INSIZE | 2 | 英示 |
| 9 | 三坐标测量臂 3D measuring arm | Quantum S Max 6axis 2.0m | 1 | 美国FARO |
| 10 | 数显扭力扳手 Digital torque wrench | 25-550 Nm | 1 | PLARZ |

压铸机液压阀组、阀块

Hydraulic system for die casting machine

(180-8000T)

精于品质 不断创新

Excellence on quality Persistence on innovation

精良的设备以保证阀板加工精度。可根据客户需求提供多种设计方案，速度更快，系统更稳定。

Sophisticated equipment can ensure the precision of valve plates. Offering different designs according to customer demands.

- **多种设计理念**
可根据客户需求定制
- **Various design concepts**
Customisation is available



油缸盖 Cylinder end cap

压射阀块 Injection valve block

泵站阀块 Pump manifold

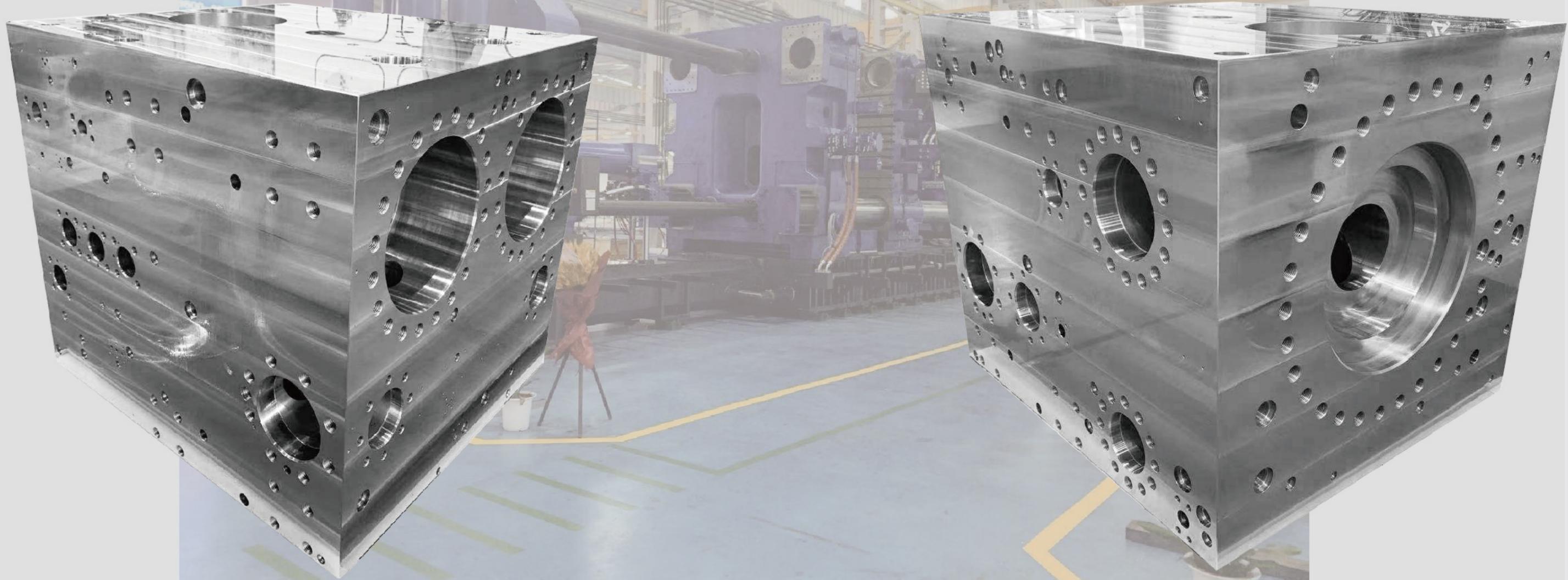
压射阀块 Injection valve block

增压阀块 Supercharge manifold

压射阀块 Injection valve block

- 配套海天金属8800T压射系统主阀块
- Main valve block for 8800T injection system of Haitian

- 多种设计理念
可根据客户需求定制
- Various design concepts
Customisation is available



压铸机液压系统

Hydraulic system for die casting machine

(100-6800T)

精于品质 不断创新

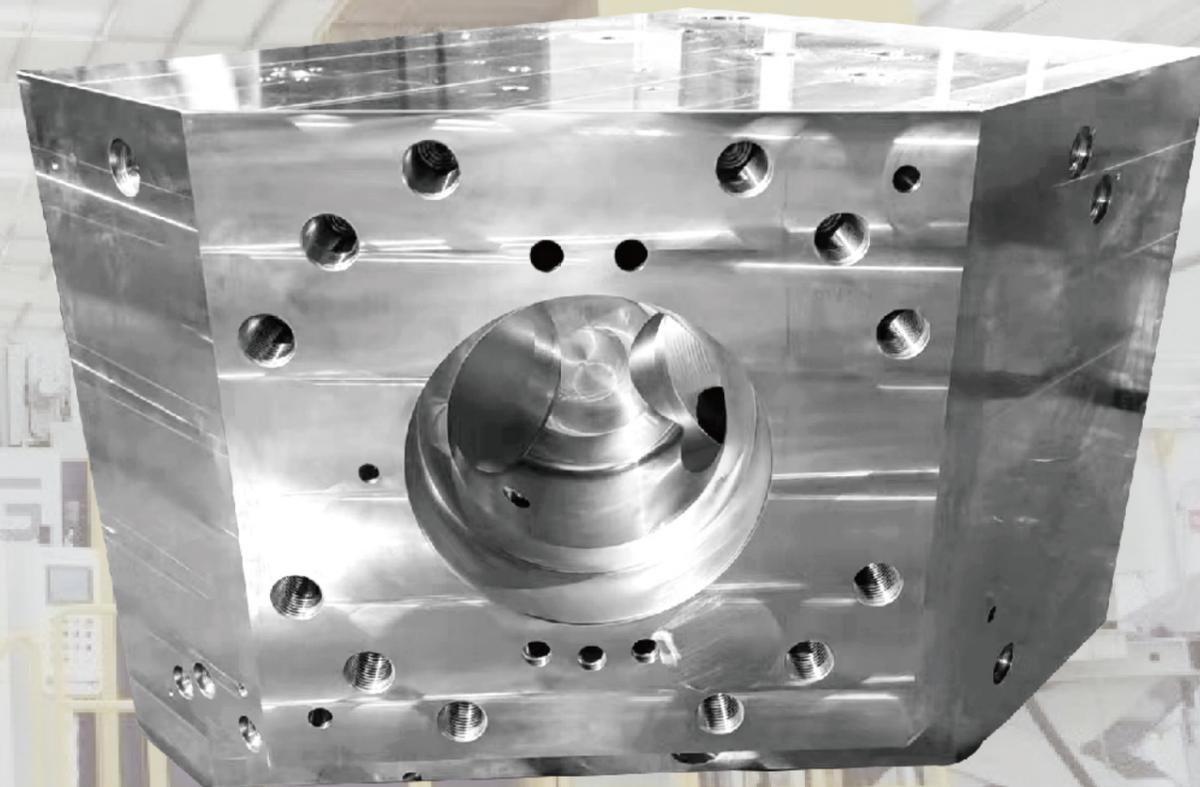
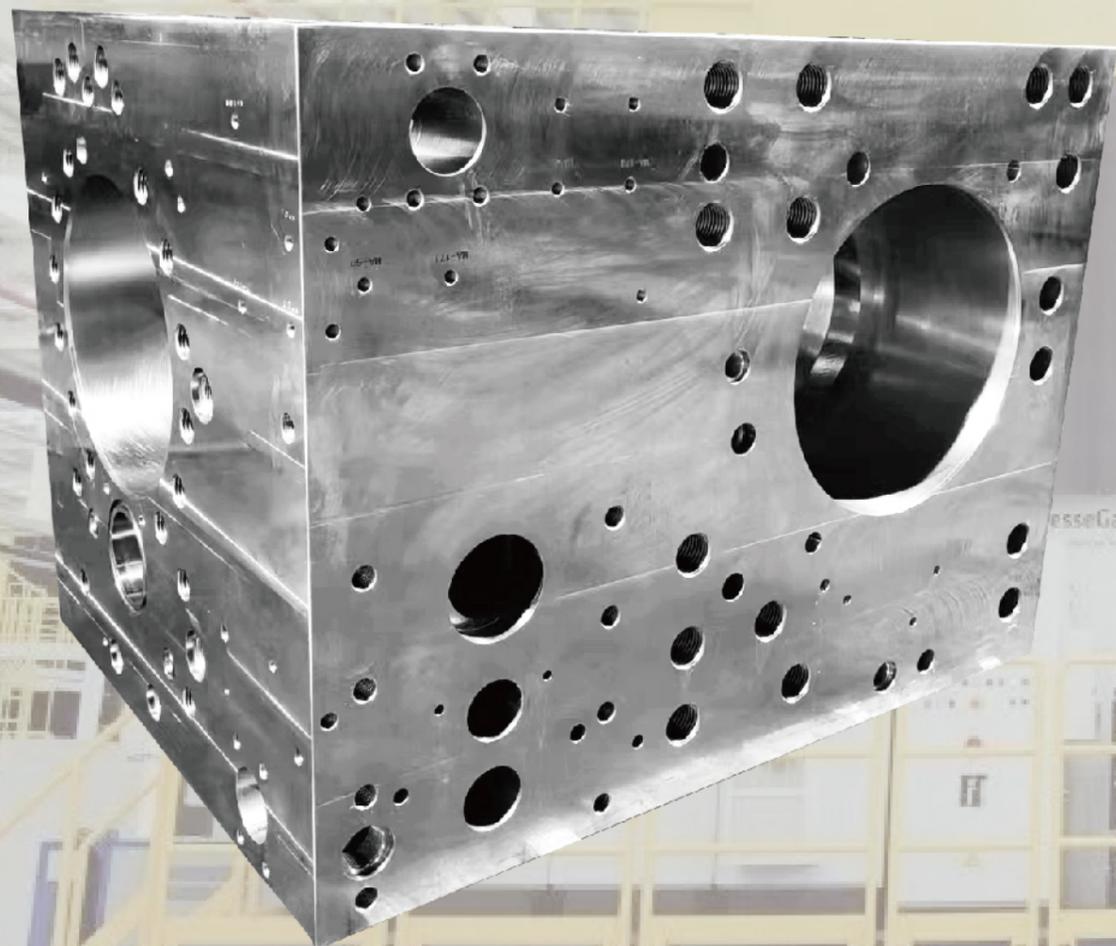
Excellence on quality Persistence on innovation

• 配套意大利PG公司5700T压铸系统主阀块

• Main valve block for 5700T casting system of ItalPressGauss

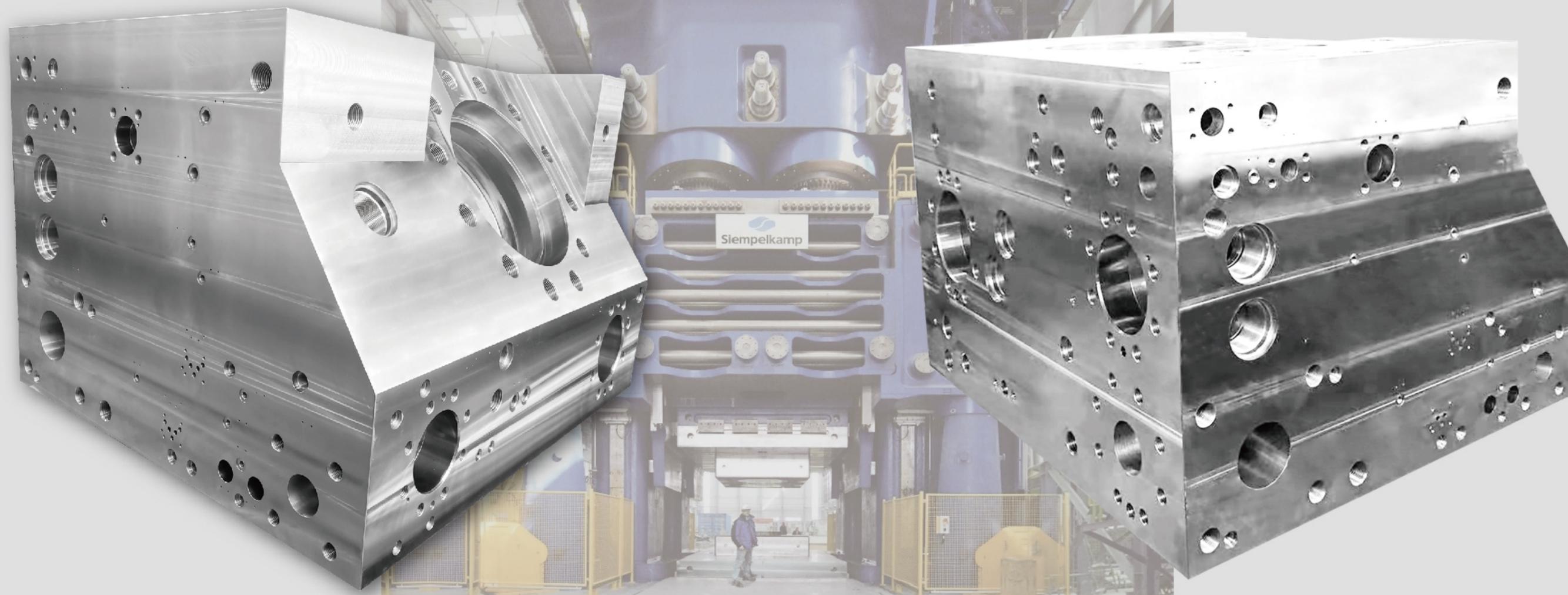
• 多种设计理念
可根据客户需求定制

• Various design concepts
Customisation is available



• 德国辛北尔康普3500T快锻主阀块

- Main valve block for Siempelkamp 3500T high-speed forging press



- 多种设计理念
可根据客户需求定制
- Various design concepts
Customisation is available

注塑机液压系统

Hydraulic system of injection machine

(45-8000T)

精于品质 不断创新

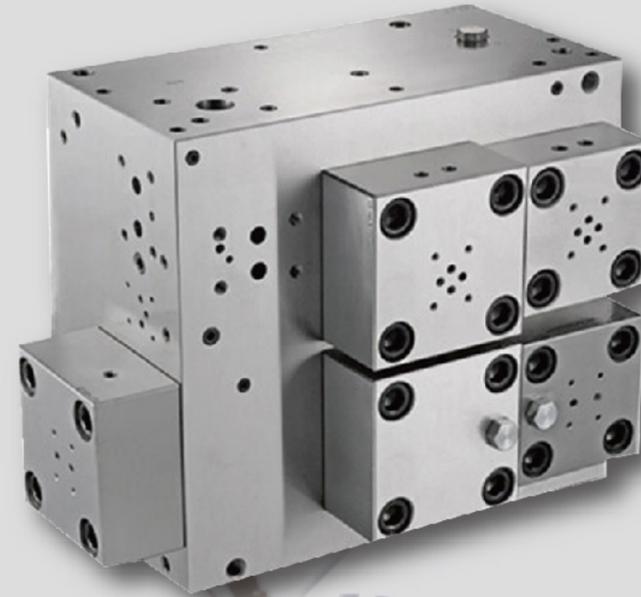
Excellence on quality Persistence on innovation

多年的设计加工经验可保证各类注塑机的工况要求，总结各种机型的优缺点，对客户自身系统提出合理建议与意见，并配备进口逻辑阀体等液压配件，以达到系统安全可靠、动作迅速、耗能少等优点。

With rich experience on design and manufacture, our products can endure the working conditions of various injection machine. We can make proposals on customers's injection system and equip the manifold block with imported logic valves and other hydraulic components to make sure the system safe, efficient and low energy consumption.

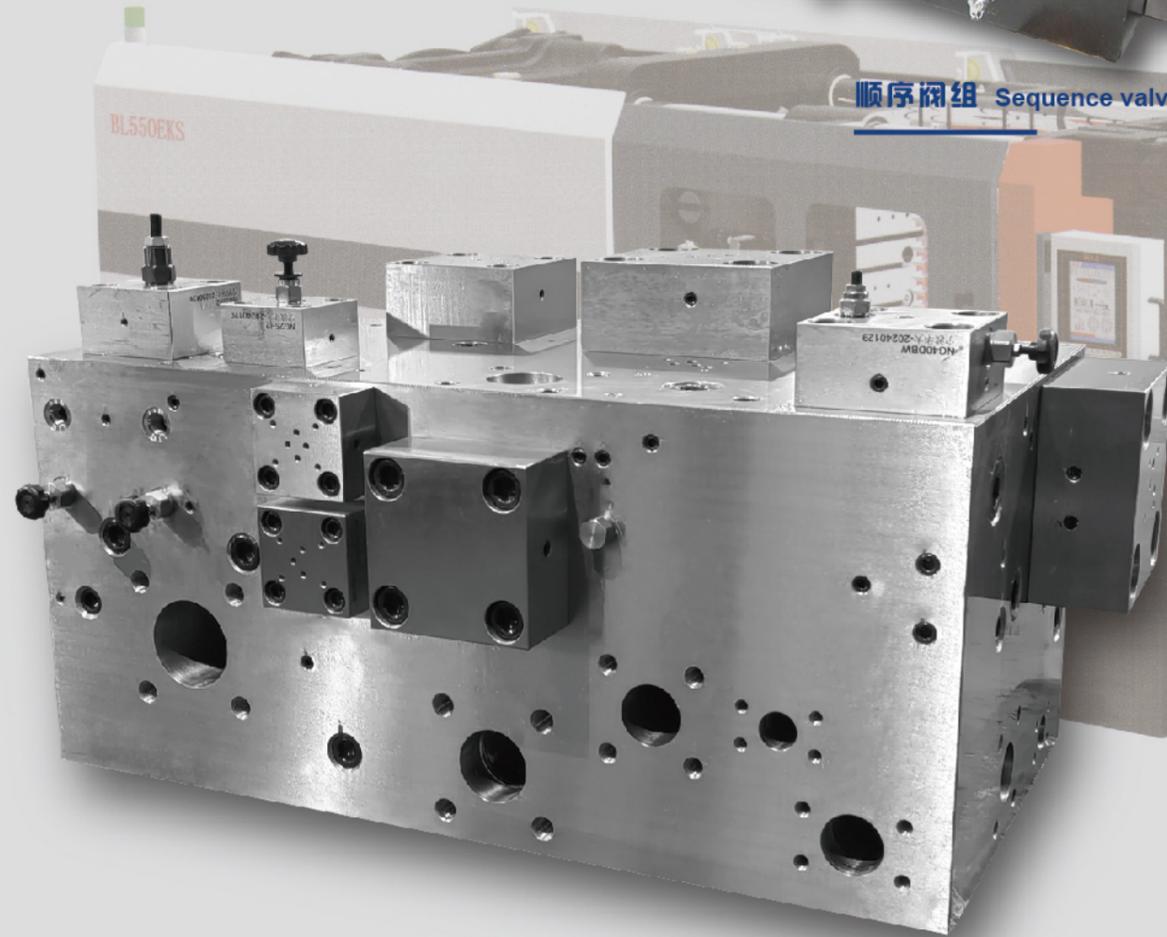


顺序阀组 Sequence valve group

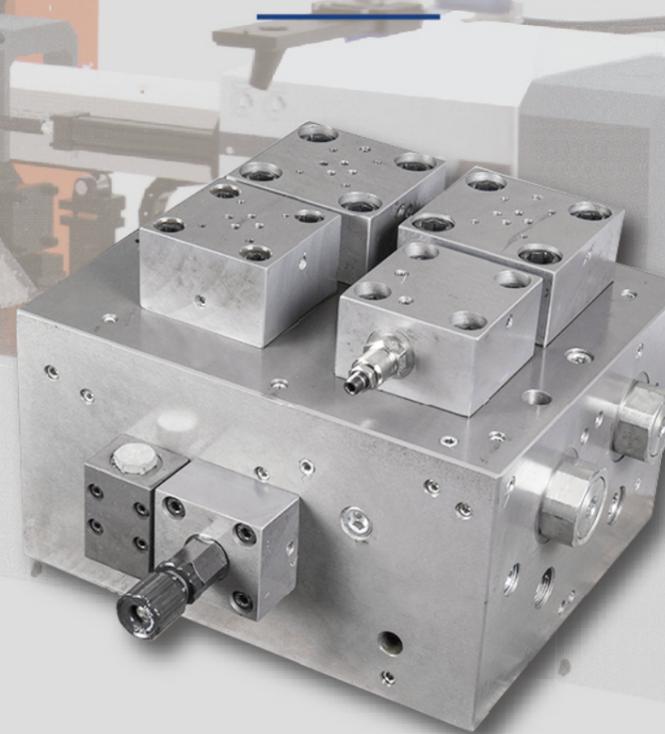


注射阀组 Injection valve group

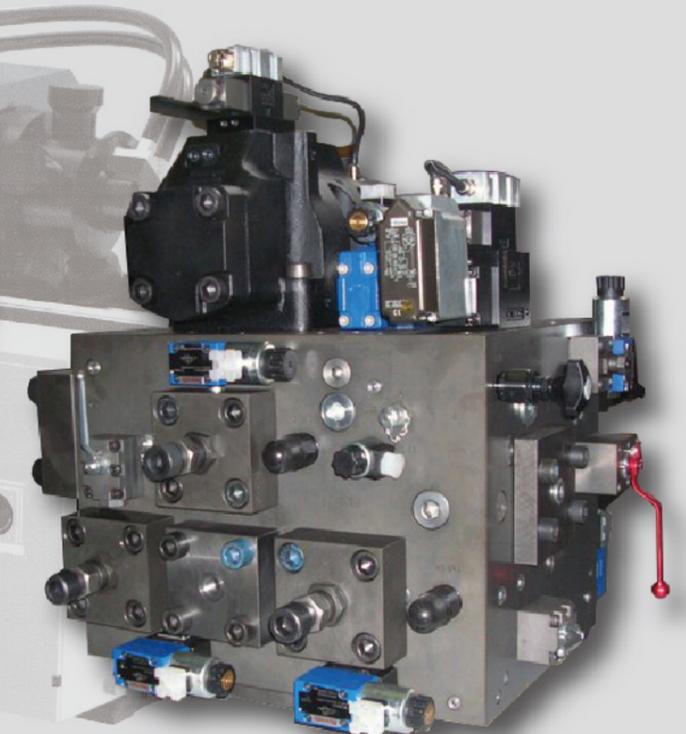
- 多种设计理念
可根据客户需求定制
- Various design concepts
Customisation is available



锁模阀组 Mode locking valve group



锁模阀组 Mode locking valve group



系统阀组 System valve group

液压阀块

Hydraulic manifold blocks

精于品质 不断创新

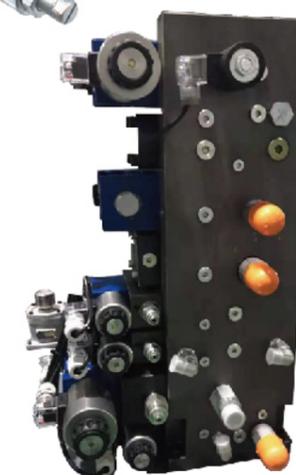
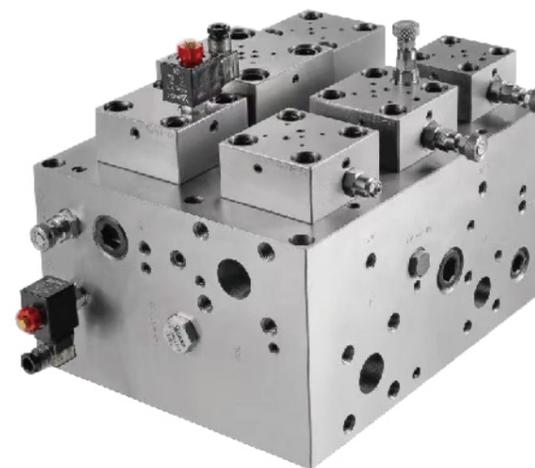
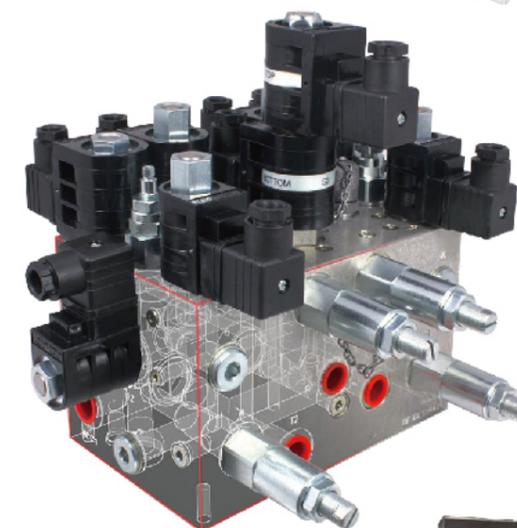
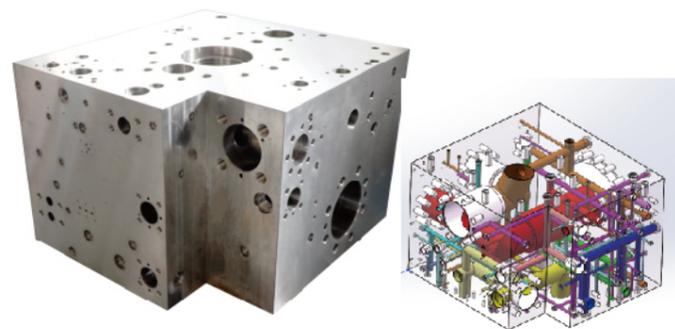
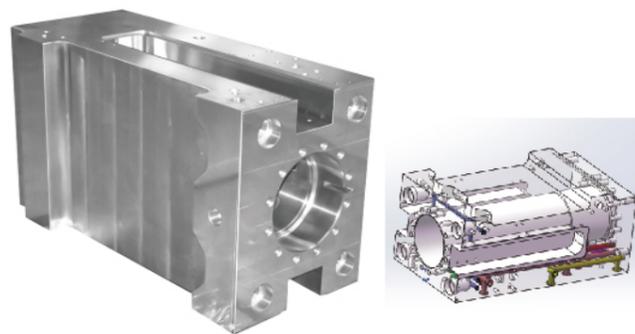
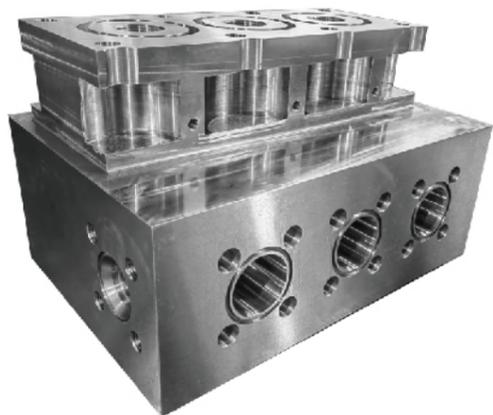
液压阀组

Hydraulic valve group

Excellence on quality
Persistence on innovation

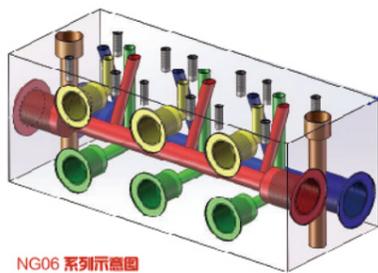
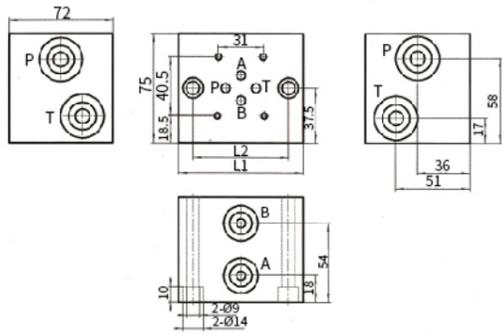
产品广泛应用于各种工程机械、冶金机械、鞋机、挤压机、油压机、射出机、橡胶机、锻压机械、铸造机械、船舶机械、农业机械、石油机械、压铸机及注塑机。

Our products are widely applicable to construction machinery, metallurgical machinery, shoe machinery, extrusion machinery, forging press, die casting machine, agricultural machinery, injection machine etc.



标准块

Standard block

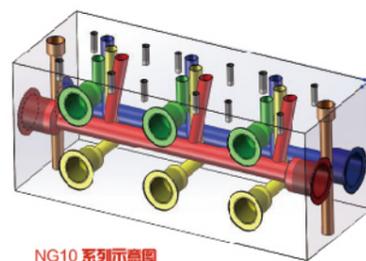
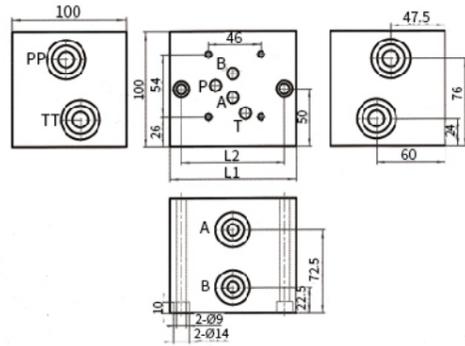


NG06 系列示意图

精于品质 不断创新

标准块被广泛应用于多种机械设备的液压系统，华大液压精良的加工设备，多年的加工经验确保产品优质美观。也可添加溢流阀、单向阀等满足不同客户的特殊需求。

Standard blocks are widely used in hydraulic system of various equipment. Our sophisticated processing equipment and rich experience ensure manufacture of high quality products. Valve like check valve, solenoid valve or pressure valve can be added as per clients' requirements.



NG10 系列示意图

| 序号 Serial No | L1(mm) | L2(mm) | P.T | A.B | 重量(净重) 钢 Steel(kg) | Net Weight 铝 Aluminum(kg) |
|-----------------|--------|--------|-------|-------|-----------------------|------------------------------|
| Ng06-1 | 86 | 66 | G1/2" | G3/8" | 3.16 | 1.10 |
| Ng06-2 | 136 | 116 | G1/2" | G3/8" | 5.11 | 1.78 |
| Ng06-3 | 186 | 166 | G1/2" | G3/8" | 7.06 | 2.45 |
| Ng06-4 | 236 | 216 | G1/2" | G3/8" | 9.01 | 3.13 |
| Ng06-5 | 286 | 266 | G1/2" | G3/8" | 10.96 | 3.81 |
| Ng06-6 | 336 | 316 | G1/2" | G3/8" | 12.91 | 4.48 |
| Ng06-7 | 386 | 366 | G1/2" | G3/8" | 14.86 | 5.16 |
| Ng06-8 | 436 | 416 | G1/2" | G3/8" | 16.81 | 5.84 |
| Ng06-9 | 486 | 466 | G1/2" | G3/8" | 18.76 | 6.52 |
| Ng06-10 | 536 | 516 | G1/2" | G3/8" | 20.71 | 7.19 |

| 序号 Serial No | L1(mm) | L2(mm) | P.T | A.B | 重量(净重) 钢 Steel(kg) | Net Weight 铝 Aluminum(kg) |
|-----------------|--------|--------|-------|-------|-----------------------|------------------------------|
| Ng10-1 | 110 | 90 | G3/4" | G1/2" | 7.70 | 2.67 |
| Ng10-2 | 185 | 165 | G3/4" | G1/2" | 13.13 | 4.56 |
| Ng10-3 | 260 | 240 | G3/4" | G1/2" | 18.56 | 6.45 |
| Ng10-4 | 335 | 315 | G3/4" | G1/2" | 23.99 | 8.34 |
| Ng10-5 | 410 | 390 | G3/4" | G1/2" | 29.42 | 10.22 |
| Ng10-6 | 485 | 465 | G3/4" | G1/2" | 34.85 | 12.11 |
| Ng10-7 | 560 | 540 | G3/4" | G1/2" | 40.28 | 14.00 |
| Ng10-8 | 635 | 615 | G3/4" | G1/2" | 45.71 | 15.88 |
| Ng10-9 | 710 | 690 | G3/4" | G1/2" | 51.14 | 17.77 |
| Ng10-10 | 785 | 765 | G3/4" | G1/2" | 56.57 | 19.66 |

液压阀

Hydraulic valve

Excellence on quality
Persistence on innovation

选配台湾、日本、德国的一线品牌液压阀，交货及时，品质保证。

Optional installation of brand valves made in Taiwan, Japan or Germany according to customers' request.



精加工部件

CNC Machining parts

精于品质 不断创新

冷却分流器

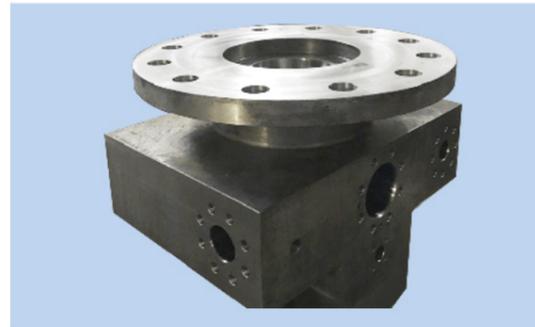
cooling water flow regulators

Excellence on quality
Persistence on innovation

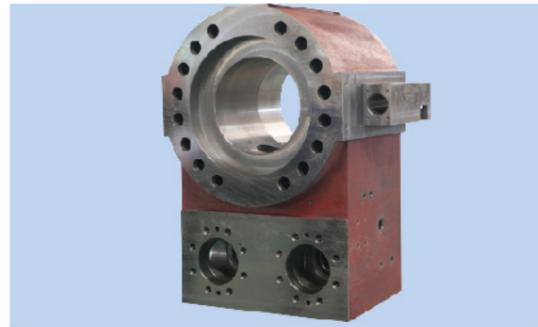
常规型冷却分流器 Conventional cooling splitter



材料 (material) : 42CrMo



材料 (material) : C45



材料 (material) : QT500-7



材料 (material) : SS316



材料 (material) : Q355



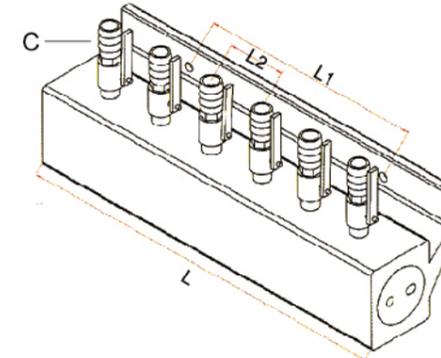
材料 (material) : 38CrMo



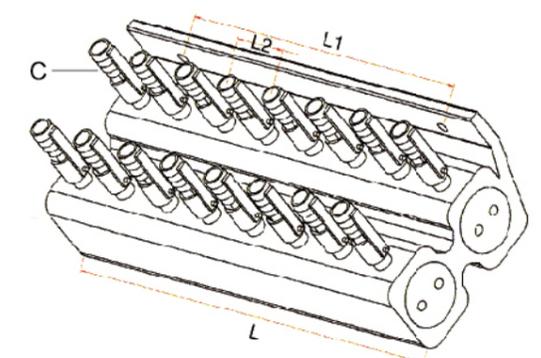
材料 (material) : 38CrMo



材料 (material) : 42CrMo



HDFSK-A



HDFSK-B

HDFSK-A (单排) 系列成品尺寸标准
HDFSK-A (single row) series finished product size standard

| | | | | |
|---|-----------|-------|--------|-------|
| 1 | FSK-A-3-3 | L=250 | L1=160 | L2=40 |
| 2 | FSK-A-4-4 | L=320 | L1=165 | L2=40 |
| 3 | FSK-A-5-5 | L=410 | L1=240 | L2=40 |
| 4 | FSK-A-6-6 | L=500 | L1=240 | L2=40 |

HDFSK-B (双排) 系列成品尺寸标准
HDFSK-B (double row) series finished product size standard

| | | | | |
|---|-----------|-------|--------|-------|
| 1 | FSK-B-4-4 | L=220 | L1=115 | L2=55 |
| 2 | FSK-B-5-5 | L=245 | L1=150 | L2=50 |
| 3 | FSK-B-6-6 | L=260 | L1=165 | L2=42 |
| 4 | FSK-B-8-8 | L=400 | L1=200 | L2=51 |

部件C可选项 Optional C parts:



宝塔接头



快插接头



快拧终端接头



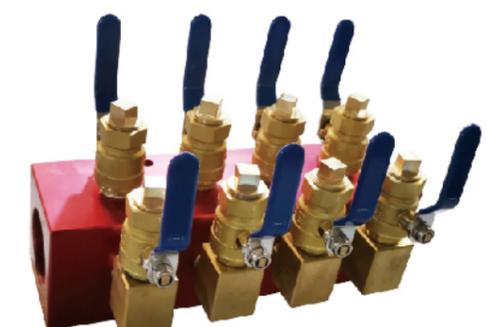
HDFSK-A



HDFSK-B



米拉克龙定制产品



米拉克龙定制产品